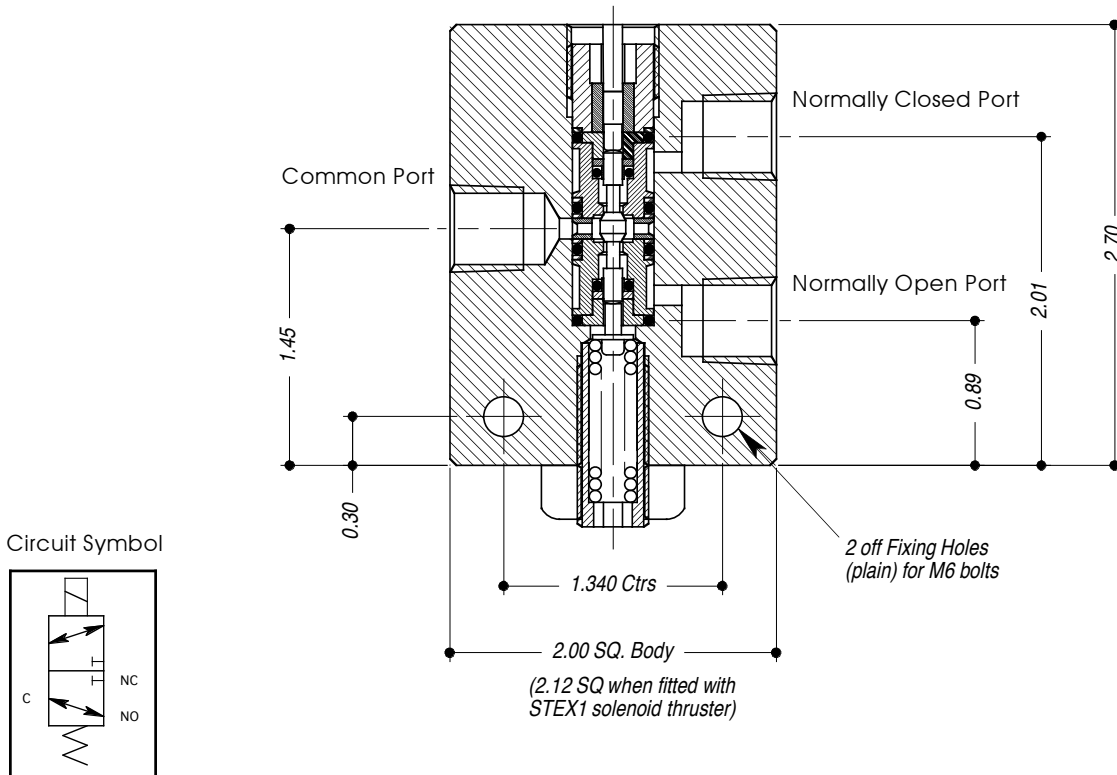


DIRECT SOLENOID VALVE TYPE: 2/3DS20/25



- 2 POSN / 3 PORTED STAINLESS STEEL (316 / 1.4404) VALVE WITH SOLENOID OPTIONS.
- SUITABLE FOR LIQUID USE.
- FITTED WITH "HARD" SEATS.
- SOLENOID ACTUATION TYPE - SEE SECTION 12 FOR DETAILS.
- ALL DIMENSIONS IN INCHES.



TECHNICAL SPECIFICATION		ORDERING EXAMPLE
Valve Type:	2/3DS20/25	2/3DS20/25
Porting / Connection Options:	P = BSP (Parallel) N = NPT (Taper) M = Manifold	N
Solenoid Thruster Options:	HC= (DIN connector) KC= (Kopex fitting) STEX1= (EExd)	KC
Max. Working Press: Liquid	10,000 psi	10K
Voltage Rating:	Check Voltage Rating availability in Section 12 (example given *)	24V D.C. *
Port Size:	1/4"	
Valve Seat Mat'l: Liquid	Stainless Steel - 431/1.4057	
Seal Material:	Viton (other materials available by request)	
CV Value:	0.1	
Dry Weight: (kg)	1.75	
Working Temp Range:	fitted with HC, KC	-10°C to +80°C
	fitted with STEX1	T5 = -10°C to +40°C T4 = -10°C to +60°C